

Jungheinrich® proprietary
AC technology

Maximum performance and
low energy consumption

Narrow tractor design for block
stacking

Spacious operator compartment

Compact for maximum
maneuverability

Microprocessor-controlled,
fully-programmable AC electronic
control



EFG 110k – 115

Electric Three-Wheel Counterbalanced Truck (2,000–3,000 lbs.)

Rear-wheel drive, a compact design, high performance and an ergonomic operator compartment – these are the strengths of the EFG 110k–115 electric forklift trucks.

The advantages:

- Excellent performance in restricted spaces, greater maneuverability and superior operator comfort.
- The truck features a low step for a secure and comfortable entrance into the compartment. The adjustable steering column and a three-way

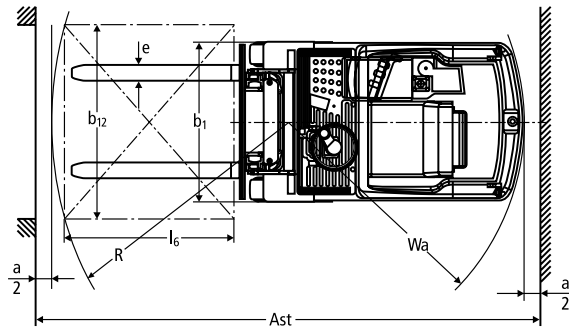
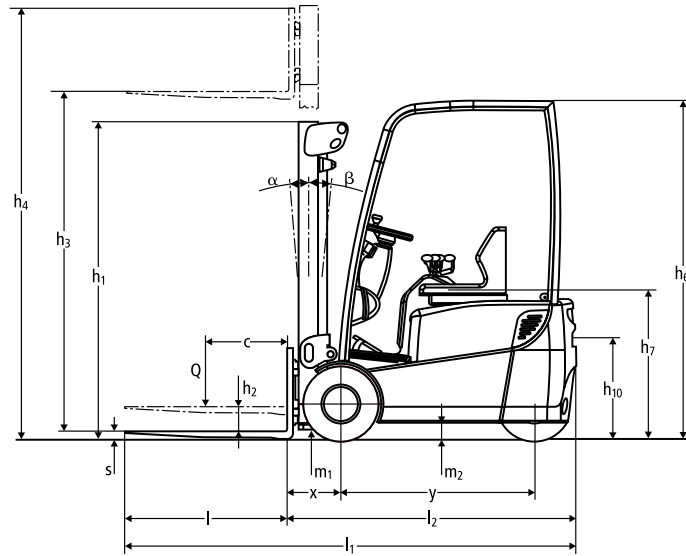
adjustable, full-suspension seat offer customized settings for your operators. The compartment offers superior headroom with an overhead guard that is 82.3 inches high. A “container overhead guard” with a height of 77.6 inches is available as an option.

- Excellent visibility and ergonomically-positioned controls allow for precise handling. Hydraulic functions are activated by using the SOLO-PILOT control (separate levers).

- The informative operator display highlights important lift truck data, including operating hours, battery state-of-charge, lift interrupt, error codes and warning displays. The system also stores all relevant service data.
- Low steering and lever operating forces and a familiar automotive pedal layout help create a productive operation. Enclosed AC motors enable smooth acceleration and make the EFG 110k–115 suitable for a variety of applications.


Machines. Ideas. Solutions.®

EFG 110k-115



Mast Table EFG 110k-115

	Lift height h_3		Free-lift h_2		Collapsed mast height h_1		Extended mast height h_4		Tilt forward / backward degrees	Truck width		Truck track	
	in	mm	in	mm	in	mm	in	mm	α / β (°)	in	mm	in	mm
Simplex	90	2,300	5.9	150	65	1,650	139	3,516	5° / 4°	39.0	990	33.0	838
	118 ¹⁾	3,000 ¹⁾	5.9 ¹⁾	150 ¹⁾	79 ¹⁾	2,000 ¹⁾	166 ¹⁾	4,216 ¹⁾	5° / 6° ¹⁾	39.0	990	33.0	838
	122	3,100	5.9	150	81	2,050	170	4,316	5° / 6°	39.0	990	33.0	838
	129	3,300	5.9	150	85	2,150	178	4,516	5° / 6°	39.0	990	33.0	838
	141	3,600	5.9	150	91	2,300	190	4,816	5° / 6°	39.0	990	33.0	838
	157	4,000	5.9	150	98	2,500	206	5,216	5° / 6°	39.0	990	33.0	838
Duplex	177	4,500	5.9	150	110	2,800	225	5,716	5° / 6°	41.8	1,062	35.8	910
	196	5,000	5.9	150	120	3,050	245	6,216	5° / 5°	41.8	1,062	35.8	910
	90	2,300	41	1,055	63	1,605	139	3,516	5° / 4°	39.0	990	33.0	838
	118	3,000	55	1,405	77	1,955	166	4,216	5° / 6°	39.0	990	33.0	838
	122	3,100	57	1,455	79	2,005	170	4,316	5° / 6°	39.0	990	33.0	838
	129	3,300	61	1,555	83	2,105	178	4,516	5° / 6°	39.0	990	33.0	838
Triplex	141	3,600	67	1,705	89	2,255	190	4,816	5° / 6°	39.0	990	33.0	838
	157	4,000	75	1,905	97	2,455	206	5,216	5° / 6°	39.0	990	33.0	838
	171	4,350	55	1,405	77	1,955	219	5,566	5° / 6°	39.0	990	33.0	838
	177	4,500	57	1,455	79	2,005	225	5,716	5° / 6°	41.8	1,062	35.8	910
	189	4,800	61	1,555	83	2,105	237	6,016	5° / 6°	41.8	1,062	35.8	910
	196	5,000	64	1,630	86	2,180	245	6,216	5° / 5°	41.8	1,062	35.8	910
	216	5,500	71	1,805	93	2,355	265	6,716	5° / 5°	41.8	1,062	35.8	910
	236	6,000	78	2,005	101	2,555	284	7,216	5° / 4°	41.8	1,062	35.8	910
255	6,500	88	2,255	110	2,805	304	7,716	5° / 4°	41.8	1,062	35.8	910	

1) Standard.



JUNGHEINRICH

JUNGHEINRICH
EFC 110

The Jungheinrich Advantage

High productivity

Exceptional productivity due to a comfortable operator compartment, high performance characteristics and low life-cycle costs.

High residual capacity

Due to excellent stability, lift heights up to 171 inches on the EFG 115 and 188 inches on the EFG 110k / 110 / 113 can be achieved without reducing nominal capacity.

Performance-enhancing workplace

- Standard high overhead guard for superior headroom.
- Clear view: mast and fork carriage allow for excellent visibility to the forks.
- Comfortable, low-fatigue operation of travel direction and hydraulics by SOLO-PILOT controls.
- Hydraulic power steering is precise and low-effort (5.2 turns lock-to-lock).

Significantly-reduced maintenance

- Single-piece metal cover ensures quick and easy access to the battery compartment.
- Low-maintenance AC motors.
- Fully-enclosed motors and electronic components comply with IP 54, protecting against dust, dirt and moisture ingress.
- Prolonged service intervals, up to 500 operating hours.
- Hydraulic pinion gear steering eliminates the need for chains.

Innovative drive and steering technology

- Programmable performance parameters ensure maximum flexibility.
- Five drive programs can be individually selected and adjusted (optional).
- Curve Control reduces travel speed when cornering.



Drive and lift motor with AC technology

Innovative motor technology

With AC technology, the drive and lift motors offer excellent heat management.

Jungheinrich proprietary AC technology motors

- Fully enclosed, brushless AC motors are the key components of the EFG 1 Series low-maintenance drive unit. They are resistant to dust, dirt and moisture.
- Temperature control protects the motors from overheating by adjusting the performance.

Economic driving and lifting

- AC technology ensures exceptional performance.
- Regenerative braking system.
- No motor fans required.
- Extremely energy efficient resulting in more battery run time per charge.
- Progressive lowering brake valve allows for a consistent lowering speed with and without a load.



SOLO-PILOT

SOLO-PILOT

- SOLO-PILOT (standard equipment) combines the direction switch, horn and the lifting/lowering function in one control lever.
- Additional functions, such as forward/backward tilting, sideshifting (optional) and auxiliary hydraulics (optional), can be operated with additional levers placed directly next to the lift/lower lever.

Parts when you need them

Jungheinrich's Parts Fast or Parts Free Guarantee ensures next-business-day delivery by 5:00 p.m. of all Jungheinrich parts in the United States, or they're free, including freight. For customers in Canada and Mexico, the guarantee ensures shipping of parts within 24 hours from the time the order was placed by the dealer. See your local Jungheinrich dealer for program details.

* Programs may be subject to change without notice and may vary by region. Please ask your local Jungheinrich dealer for complete terms and conditions.