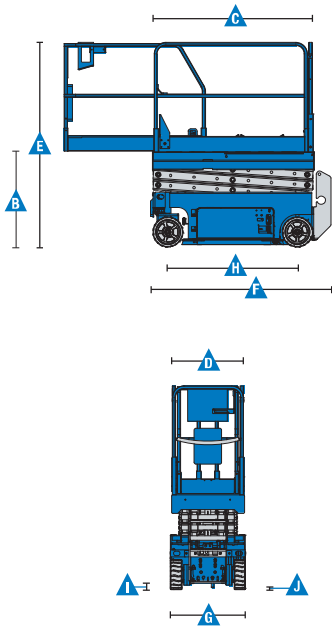


# Self-Propelled Scissor Lifts

## GS™ -1530 & GS-1930

### Specifications



Models	GS-1530		GS-1930	
Measurements	US	Metric	US	Metric
Working height maximum*	21 ft	6,57 m	25 ft	7,79 m
<b>A</b> Platform height maximum	15 ft	4,57 m	19 ft	5,79 m
<b>B</b> Platform height stowed	3 ft 2,2 in	,97 m	3 ft 3,5 in	1,00 m
<b>C</b> Platform length - outside	5 ft 4 in	1,63 m	5 ft 4 in	1,63 m
extended	8 ft 4 in	2,54 m	8 ft 4 in	2,54 m
Slide-out platform extension deck	3 ft	,91 m	3 ft	,91 m
<b>d</b> Platform width - outside	2 ft 5 in	,74 m	2 ft 5 in	,74 m
Guardrail height: fixed rails	3 ft 3 in	,99 m	3 ft 3 in	,99 m
fold down (CE)	3 ft 7 in	1,10 m	3 ft 7 in	1,10 m
Toeboard height	6 in	,15 m	6 in	,15 m
<b>A</b> Height-stowed: fixed rails	6 ft 5 in	1,96 m	6 ft 7 in	2,00 m
folding guardrails (CE)	6 ft 8 in	2,03 m	6 ft 11 in	2,11 m
rails folded	5 ft 8 in	1,73 m	5 ft 9 in	1,75 m
<b>F</b> Length-stowed	6 ft	1,83 m	6 ft	1,83 m
Length-stowed extended	9 ft	2,74 m	9 ft	2,74 m
<b>G</b> Width	2 ft 6 in	,76 m	2 ft 6 in	,76 m
<b>A</b> Wheelbase	4 ft 4 in	1,32 m	4 ft 4 in	1,32 m
<b>A</b> Ground clearance-center	2,4 in	,06 m	2,4 in	,06 m
<b>A</b> - with pothole guards deployed	,75 in	,02 m	,75 in	,02 m

### Productivity

Maximum platform occupancy**	2	2	2	2
Lift capacity	600 lbs	272 kg	500 lbs	227 kg
Lift capacity - extension deck	250 lbs	113 kg	250 lbs	113 kg
Drive speed - stowed	2,5 mph	4,0 km/h	2,5 mph	4,0 km/h
Drive speed - raised	0,5 mph	0,8 km/h	0,5 mph	0,8 km/h
Gradeability - stowed***	30%		25%	
Turning radius - inside	zero	zero	zero	zero
Turning radius - outside	5 ft 1 in	1,55 m	5 ft 1 in	1,55 m
Raise / lower speed	16 / 29 sec	16 / 29 sec	16 / 25 sec	16 / 25 sec
Controls	proportional		proportional	
Drive	dual front wheel		dual front wheel	
Multiple disc brakes	dual rear wheel		dual rear wheel	
Tires - solid non-marking	12 x 4,5 x 8 in	30 x 11 x 20 cm	12 x 4,5 x 8 in	30 x 11 x 20 cm

### Power

Power source	24 V DC (four 6 V 225 Ah batteries)			
Hydraulic system capacity	3,75 gal	14,2 L	3,75 gal	14,2 L

### Weight\*\*\*\*

ANSI, CSA	2,575 lbs	1,168 kg	2,702 lbs	1,226 kg
CE indoor	2,718 lbs	1,233 kg	3,302 lbs	1,498 kg
AUS indoor	—	—	3,302 lbs	1,498 kg

### Standards Compliance

ANSI A92.6, CSA B354.2, CE Compliance, AS 1418.10

\* The metric equivalent of working height adds 2 m to platform height. U.S. adds 6 ft to platform height.  
 \*\* CE/AUS markets: GS-1530 and GS-1930 are indoor use only—2 person maximum occupancy.  
 GS-1532 and GS-1932 are indoor/outdoor use—1 person maximum.  
 \*\*\* Gradeability applies to driving on slopes, see operator's manual for details regarding slope ratings.  
 \*\*\*\* Weight will vary depending on options and/or country standards.

### Features

#### Standard Features

##### Measurements

###### GS-1530

- 21 ft (6.57 m) working height
- Up to 600 lbs (272 kg) lift capacity

###### GS-1930

- 25 ft (7.79 m) working height
- Up to 500 lbs (227 kg) lift capacity

##### Productivity

- 64 x 29 in (1.63 x .74 m) steel platform
- Fixed rail with chain entry gate
- Folding rails with half-height swing gate (CE)
- 36 in (.91 m) extension deck
- Dual front wheel drive
- SmartLink™ - 2 speed lift and proportional drive
- Universal 20 amp smart charger
- Rear recessed charger receptacle
- 25% gradeability
- Platform control with battery charge indicator and diagnostic display
- On-board diagnostic system
- AC power to platform
- Lanyard attachment points
- Manual platform lowering valve
- Emergency stop at both platform and ground controls
- Rear wheel multiple disc brakes
- Front wheel hydraulic dynamic braking
- Brake release
- Swing-out component trays
- Solid non-marking tires
- Pothole guards
- Tilt level sensor with audible alarm
- Descent alarm
- Electronic horn
- Hour meter

##### Power

- 24 V DC (four 6 V 225 Ah batteries)

#### Options & Accessories

##### Productivity Options

- Folding rails with half-height swing gate
- Platform swing gate, half-height
- Air line to platform
- Dual flashing beacons
- Motion alarm
- Automotive horn
- Biodegradable hydraulic fluid

##### Power Options

- Power inverter (120 V/60 Hz) (not available GS™-1932 CE)
- EE rating
- AGM maintenance-free batteries



#### Genie United States

18340 NE 76th Street  
P.O. Box 97030  
Redmond, Washington 98073-9730  
Telephone +1 (425) 881-1800  
Toll Free in USA/Canada +1 (800)-536-1800  
Fax +1 (425) 883-3475

#### Distributed By:

The Mallings  
Wharf Road  
Grantham NG31 6BH  
UK  
Telephone +44 (0)1476 584333  
Fax +44 (0)1476 584334  
Email: AWP-InfoEurope@terex.com

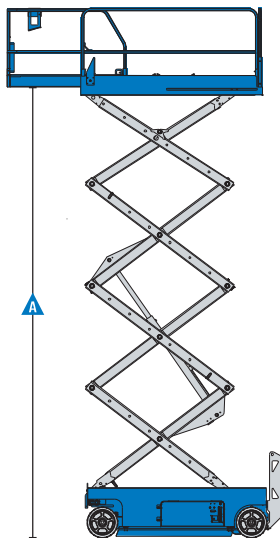
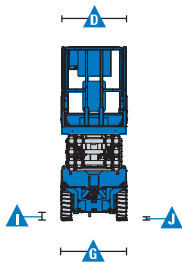
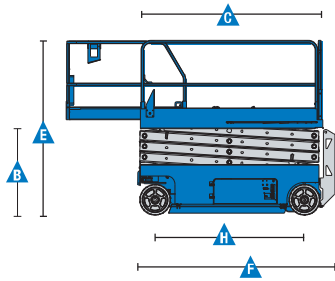
#### Distributed By:

Effective Date: January, 2014. Product specifications and prices are subject to change without notice or obligation. The photographs and/or drawings in this document are for illustrative purposes only. Refer to the appropriate Operator's Manual for instructions on the proper use of this equipment. Failure to follow the appropriate Operator's Manual when using our equipment or to otherwise act irresponsibly may result in serious injury or death. The only warranty applicable to our equipment is the standard written warranty applicable to the particular product and sale and we make no other warranty, express or implied. Products and services listed may be trademarks, service marks or trade names of Terex Corporation and/or their subsidiaries in the USA and many other countries. Genie is a registered trademark of Terex South Dakota, Inc. © 2014 Terex Corporation.

# Self-Propelled Scissor Lifts

GS™ -2032, GS-2632 & GS-3232

## Specifications



Models	GS-2032		GS-2632		GS-3232	
Measurements	US	Metric	US	Metric	US	Metric
Working height maximum*	26 ft	8,10 m	32 ft	9,92 m	38 ft	11,75 m
<b>A</b> Platform height maximum	20 ft	6,10 m	26 ft	7,92 m	32 ft	9,75 m
<b>B</b> Platform height stowed	3 ft 4,5 in	1,03 m	3 ft 9,5 in	1,16 m	4 ft 2,75 in	1,29 m
<b>C</b> Platform length - outside	7 ft 5 in	2,26 m	7 ft 5 in	2,26 m	7 ft 5 in	2,26 m
extended	10 ft 5 in	3,18 m	10 ft 5 in	3,18 m	10 ft 5 in	3,18 m
Slide-out platform extension deck	3 ft	,91 m	3 ft	,91 m	3 ft	,91 m
<b>b</b> Platform width - outside	2 ft 8 in	,81 m	2 ft 8 in	,81 m	2 ft 8 in	,81 m
Guardrail height: fixed rails	3 ft 3 in	,99 m	—	—	—	—
folding down rails (CE)	3 ft 7 in	1,10 m	3 ft 7 in	1,10 m	3 ft 7 in	1,10 m
Toeboard height	6 in	,15 m	6 in	,15 m	6 in	,15 m
<b>A</b> Height - stowed						
fixed rails	6 ft 8 in	2,03 m	—	—	—	—
folding guardrails (CE)	7 ft	2,13 m	7 ft 5 in	2,26 m	8 ft	2,43 m
rails folded	5 ft 9 in	1,75 m	6 ft 3 in	1,91 m	6 ft 8 in	2,03 m
<b>F</b> Length - stowed	8 ft	2,44 m	8 ft	2,44 m	8 ft	2,43 m
Length - extended	10 ft 11 in	3,33 m	10 ft 11 in	3,33 m	10 ft 11 in	3,33 m
<b>G</b> Width	2 ft 8 in	,81 m	2 ft 8 in	,81 m	2 ft 8 in	,81 m
<b>H</b> Wheelbase	6 ft 1 in	1,85 m	6 ft 1 in	1,85 m	6 ft 1 in	1,85 m
<b>I</b> Ground clearance - center	3,5 in	,09 m	3,5 in	,09 m	3,5 in	,09 m
<b>I</b> - with pothole guards deployed	,75 in	,02 m	,75 in	,02 m	,75 in	,02 m

## Productivity

Maximum platform occupancy**	2	2	2	2	2	2
Lift capacity	800 lbs	363 kg	500 lbs	227 kg	500 lbs	227 kg
Extension deck capacity	250 lbs	113 kg	250 lbs	113 kg	250 lbs	113 kg
Drive height	full height		full height		22 ft	6,71 m
Drive speed - stowed	2,2 mph	3,5 km/h	2,2 mph	3,5 km/h	2,2 mph	3,5 km/h
Drive speed - raised	0,5 mph	0,8 km/h	0,5 mph	0,8 km/h	0,5 mph	0,8 km/h
Gradeability - stowed***	30%		25%		25%	
Maximum outrigger leveling:						
front to back	—	—	—	—	3°	
Maximum outrigger leveling:						
side to side	—	—	—	—	5°	
Turning radius - inside	zero	zero	zero	zero	zero	zero
Turning radius - outside	7 ft	2,13 m	7 ft	2,13 m	7 ft	2,13 m
Raise / lower speed	30 / 34 sec	30 / 34 sec	30 / 40 sec	30 / 40 sec	57 / 40 sec	57 / 40 sec
Controls	proportional		proportional			
Drive	dual front wheel		dual front wheel		dual front wheel	
Multiple disc brakes	dual rear wheel		dual rear wheel		dual rear wheel	
Tires - solid non-marking	15 x 5 x 11 in	38 x 13 x 28 cm	15 x 5 x 11 in	38 x 13 x 28 cm	15 x 5 x 11 in	38 x 13 x 28 cm

## Power

Power source	24 V DC (four 6V 225 Ah batteries)		24 V DC (four 6V 225 Ah batteries)		24 V DC (four 6V 225 Ah batteries)	
Hydraulic system capacity	3,75 gal	14,2 L	3,75 gal	14,2 L	3,75 gal	14,2 L

## Weight\*\*\*\*

ANSI, CSA	3,574 lbs	1,621 kg	4,413 lbs	2,002 kg	5,185 lbs	2,352 kg
CE, AUS	4,024 lbs	1,825 kg	4,313 lbs	1,956 kg	5,185 lbs	2,352 kg

## Standards Compliance ANSI A92.6, CSA B354.2, CE Compliance, AS 1418.10

\* The metric equivalent of working height adds 2 m to platform height. U.S. adds 6 ft to platform height.  
 \*\* CE/AUS markets: GS-2632 and GS-3232 indoor use only. GS-2032 outdoor use—one person maximum occupancy.  
 \*\*\* Gradeability applies to driving on slopes. See operator's manual for details regarding slope ratings.  
 \*\*\*\* Weight will vary depending on options and/or country standards.

### Features

#### Standard Features

##### Measurements

###### GS-2032

- 26 ft (8.10 m) working height
- Up to 800 lbs (363 kg) lift capacity

###### GS-2632

- 32 ft (9.92 m) working height
- Up to 500 lbs (227 kg) lift capacity

###### GS-3232

- 38 ft (11.75 m) working height
- Up to 500 lbs (227 kg) lift capacity

##### Productivity

- 89 x 32 in (2.26 x .81 m) steel platform
- 36 in (.91 m) extension deck
- Fixed rail with chain entry gate (standard GS™-2032)
- Folding rails with half-height swing gate (standard on all CE, GS™-2632, GS™-3232)
- Automatic leveling outriggers (GS™-3232 only)
- Dual front wheel drive
- Universal 20 amp smart charger
- Rear recessed charger receptacle
- SmartLink™ - 2 speed lift and proportional drive
- Platform control with battery charge indicator and diagnostic display
- On-board diagnostic system
- AC power to platform
- Lanyard attachment points
- Manual platform lowering valve
- Emergency stop at both platform and ground controls
- Rear wheel multiple disc brakes
- Front wheel hydraulic dynamic braking
- Brake release
- Swing-out component trays
- Solid non-marking tires
- Pothole guards
- Tilt level sensor with audible alarm
- Descent alarm
- Electronic horn
- Hour meter

##### Power

- 24 V DC (four 6 V 225 Ah batteries)

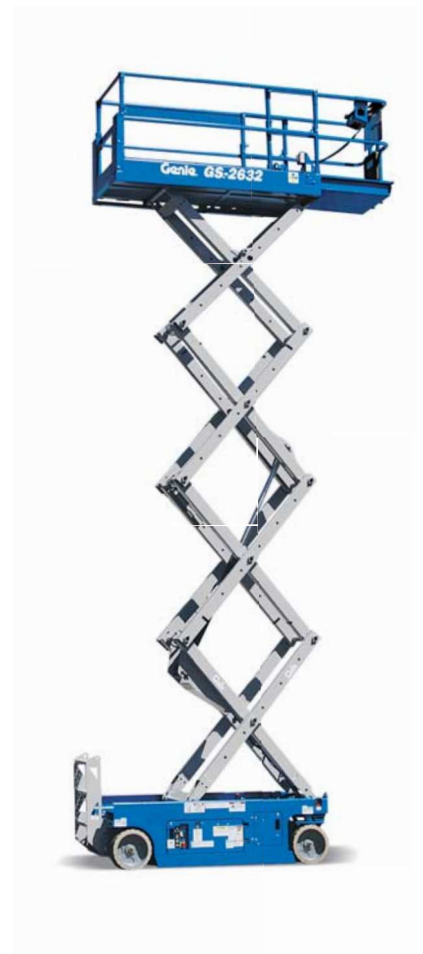
#### Options & Accessories

##### Productivity Options

- Folding rails with half-height swing gate (GS™-2032)
- Platform swing gate, half-height (GS™-2032)
- Air line to platform
- Dual flashing beacons
- Motion alarm
- Automotive horn
- Biodegradable hydraulic fluid

##### Power Options

- Power Inverter (120 V/60 Hz)
- EE rating
- AGM maintenance-free batteries



#### Genie United States

18340 NE 76th Street  
P.O. Box 97030  
Redmond, Washington 98073-9730  
Telephone +1 (425) 881-1800  
Toll Free in USA/Canada +1 (800)-536-1800  
Fax +1 (425) 883-3475

#### Distributed By: