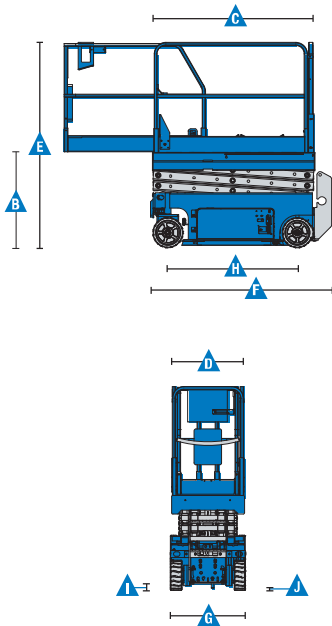


Self-Propelled Scissor Lifts

GS™ -1530 & GS-1930

Specifications



Models	GS-1530		GS-1930	
Measurements	US	Metric	US	Metric
Working height maximum*	21 ft	6,57 m	25 ft	7,79 m
A Platform height maximum	15 ft	4,57 m	19 ft	5,79 m
B Platform height stowed	3 ft 2,2 in	,97 m	3 ft 3,5 in	1,00 m
C Platform length - outside	5 ft 4 in	1,63 m	5 ft 4 in	1,63 m
extended	8 ft 4 in	2,54 m	8 ft 4 in	2,54 m
Slide-out platform extension deck	3 ft	,91 m	3 ft	,91 m
b Platform width - outside	2 ft 5 in	,74 m	2 ft 5 in	,74 m
Guardrail height: fixed rails	3 ft 3 in	,99 m	3 ft 3 in	,99 m
fold down (CE)	3 ft 7 in	1,10 m	3 ft 7 in	1,10 m
Toeboard height	6 in	,15 m	6 in	,15 m
A Height-stowed: fixed rails	6 ft 5 in	1,96 m	6 ft 7 in	2,00 m
folding guardrails (CE)	6 ft 8 in	2,03 m	6 ft 11 in	2,11 m
rails folded	5 ft 8 in	1,73 m	5 ft 9 in	1,75 m
F Length-stowed	6 ft	1,83 m	6 ft	1,83 m
Length-stowed extended	9 ft	2,74 m	9 ft	2,74 m
G Width	2 ft 6 in	,76 m	2 ft 6 in	,76 m
A Wheelbase	4 ft 4 in	1,32 m	4 ft 4 in	1,32 m
A Ground clearance-center	2,4 in	,06 m	2,4 in	,06 m
A - with pothole guards deployed	,75 in	,02 m	,75 in	,02 m

Productivity

Maximum platform occupancy**	2	2	2	2
Lift capacity	600 lbs	272 kg	500 lbs	227 kg
Lift capacity - extension deck	250 lbs	113 kg	250 lbs	113 kg
Drive speed - stowed	2,5 mph	4,0 km/h	2,5 mph	4,0 km/h
Drive speed - raised	0,5 mph	0,8 km/h	0,5 mph	0,8 km/h
Gradeability - stowed***	30%		25%	
Turning radius - inside	zero	zero	zero	zero
Turning radius - outside	5 ft 1 in	1,55 m	5 ft 1 in	1,55 m
Raise / lower speed	16 / 29 sec	16 / 29 sec	16 / 25 sec	16 / 25 sec
Controls	proportional		proportional	
Drive	dual front wheel		dual front wheel	
Multiple disc brakes	dual rear wheel		dual rear wheel	
Tires - solid non-marking	12 x 4,5 x 8 in	30 x 11 x 20 cm	12 x 4,5 x 8 in	30 x 11 x 20 cm

Power

Power source	24 V DC (four 6 V 225 Ah batteries)	24 V DC (four 6 V 225 Ah batteries)
Hydraulic system capacity	3,75 gal	14,2 L
	3,75 gal	14,2 L

Weight****

ANSI, CSA	2,575 lbs	1,168 kg	2,702 lbs	1,226 kg
CE indoor	2,718 lbs	1,233 kg	3,302 lbs	1,498 kg
AUS indoor	—	—	3,302 lbs	1,498 kg

Standards Compliance

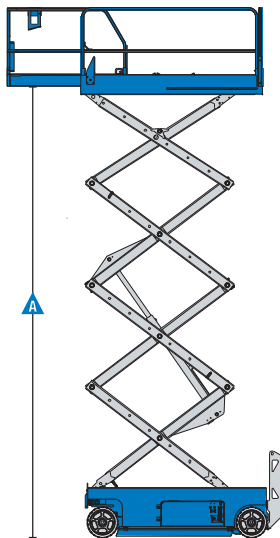
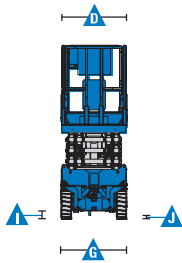
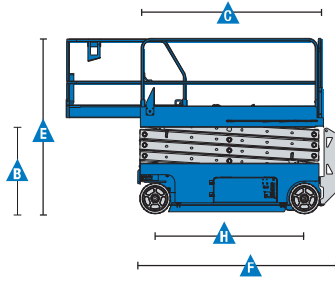
ANSI A92,6, CSA B354,2, CE Compliance, AS 1418,10

* The metric equivalent of working height adds 2 m to platform height, U.S. adds 6 ft to platform height.
 ** CE/AUS markets: GS-1530 and GS-1930 are indoor use only—2 person maximum occupancy.
 GS-1532 and GS-1932 are indoor/outdoor use—1 person maximum.
 *** Gradeability applies to driving on slopes, see operator's manual for details regarding slope ratings.
 **** Weight will vary depending on options and/or country standards.

Self-Propelled Scissor Lifts

GS™ -2032, GS-2632 & GS-3232

Specifications



Models	GS-2032		GS-2632		GS-3232	
Measurements	US	Metric	US	Metric	US	Metric
Working height maximum*	26 ft	8,10 m	32 ft	9,92 m	38 ft	11,75 m
A Platform height maximum	20 ft	6,10 m	26 ft	7,92 m	32 ft	9,75 m
B Platform height stowed	3 ft 4,5 in	1,03 m	3 ft 9,5 in	1,16 m	4 ft 2,75 in	1,29 m
C Platform length - outside	7 ft 5 in	2,26 m	7 ft 5 in	2,26 m	7 ft 5 in	2,26 m
extended	10 ft 5 in	3,18 m	10 ft 5 in	3,18 m	10 ft 5 in	3,18 m
Slide-out platform extension deck	3 ft	,91 m	3 ft	,91 m	3 ft	,91 m
A Platform width - outside	2 ft 8 in	,81 m	2 ft 8 in	,81 m	2 ft 8 in	,81 m
Guardrail height: fixed rails	3 ft 3 in	,99 m	—	—	—	—
fold down rails (CE)	3 ft 7 in	1,10 m	3 ft 7 in	1,10 m	3 ft 7 in	1,10 m
Toeboard height	6 in	,15 m	6 in	,15 m	6 in	,15 m
A Height - stowed	—	—	—	—	—	—
fixed rails	6 ft 8 in	2,03 m	—	—	—	—
folding guardrails (CE)	7 ft	2,13 m	7 ft 5 in	2,26 m	8 ft	2,43 m
rails folded	5 ft 9 in	1,75 m	6 ft 3 in	1,91 m	6 ft 8 in	2,03 m
F Length - stowed	8 ft	2,44 m	8 ft	2,44 m	8 ft	2,43 m
Length - extended	10 ft 11 in	3,33 m	10 ft 11 in	3,33 m	10 ft 11 in	3,33 m
A Width	2 ft 8 in	,81 m	2 ft 8 in	,81 m	2 ft 8 in	,81 m
H Wheelbase	6 ft 1 in	1,85 m	6 ft 1 in	1,85 m	6 ft 1 in	1,85 m
A Ground clearance - center	3,5 in	,09 m	3,5 in	,09 m	3,5 in	,09 m
A - with pothole guards deployed	,75 in	,02 m	,75 in	,02 m	,75 in	,02 m

Productivity

Maximum platform occupancy**	2	2	2	2	2	2
Lift capacity	800 lbs	363 kg	500 lbs	227 kg	500 lbs	227 kg
Extension deck capacity	250 lbs	113 kg	250 lbs	113 kg	250 lbs	113 kg
Drive height	full height	—	full height	—	22 ft	6,71 m
Drive speed - stowed	2,2 mph	3,5 km/h	2,2 mph	3,5 km/h	2,2 mph	3,5 km/h
Drive speed - raised	0,5 mph	0,8 km/h	0,5 mph	0,8 km/h	0,5 mph	0,8 km/h
Gradeability - stowed***	30%	—	25%	—	25%	—
Maximum outrigger leveling:	—	—	—	—	3°	—
front to back	—	—	—	—	—	—
Maximum outrigger leveling:	—	—	—	—	5°	—
side to side	—	—	—	—	—	—
Turning radius - inside	zero	zero	zero	zero	zero	zero
Turning radius - outside	7 ft	2,13 m	7 ft	2,13 m	7 ft	2,13 m
Raise / lower speed	30 / 34 sec	30 / 34 sec	30 / 40 sec	30 / 40 sec	57 / 40 sec	57 / 40 sec
Controls	proportional	—	proportional	—	—	—
Drive	dual front wheel	—	dual front wheel	—	dual front wheel	—
Multiple disc brakes	dual rear wheel	—	dual rear wheel	—	dual rear wheel	—
Tires - solid non-marking	15 x 5 x 11 in	38 x 13 x 28 cm	15 x 5 x 11 in	38 x 13 x 28 cm	15 x 5 x 11 in	38 x 13 x 28 cm

Power

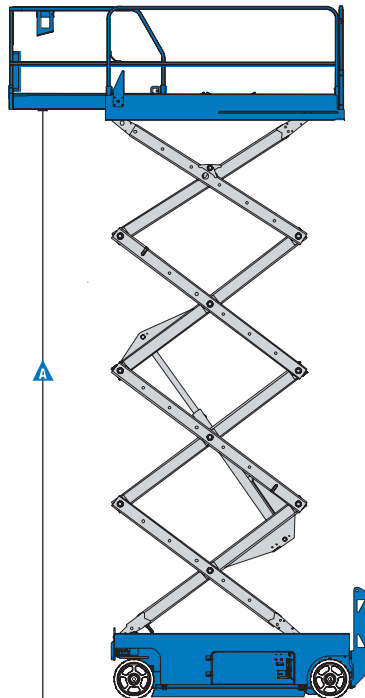
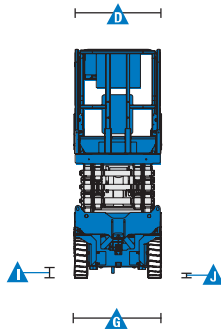
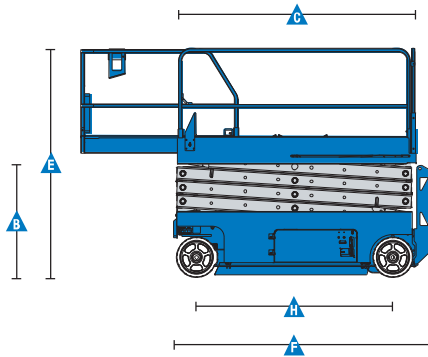
Power source	24 V DC (four 6V 225 Ah batteries)	24 V DC (four 6V 225 Ah batteries)	24 V DC (four 6V 225 Ah batteries)
Hydraulic system capacity	3,75 gal	14,2 L	3,75 gal

Weight****

ANSI, CSA	3,574 lbs	1,621 kg	4,413 lbs	2,002 kg	5,185 lbs	2,352 kg
CE, AUS	4,024 lbs	1,825 kg	4,313 lbs	1,956 kg	5,185 lbs	2,352 kg

Standards Compliance ANSI A92,6, CSA B354,2, CE Compliance, AS 1418,10

* The metric equivalent of working height adds 2 m to platform height. U.S. adds 6 ft to platform height.
 ** CE/AUS markets: GS-2632 and GS-3232 indoor use only. GS-2032 outdoor use-one person maximum occupancy.
 *** Gradeability applies to driving on slopes. See operator's manual for details regarding slope ratings.
 **** Weight will vary depending on options and/or country standards.



Specifications

Model	GS-4047	
Measurements	US	Metric
Working height maximum*	45 ft	13,89 m
A Platform height maximum	39 ft	11,89 m
B Platform height - stowed	4 ft 5 in	1,34 m
C Platform length - outside	7 ft 5 in	2,26 m
- extended	10 ft 5 in	3,18 m
D Platform width - outside	3 ft 9,3 in	1,15 m
E Height - stowed: folding guardrails	8 ft 4 in	2,54 m
- rails lowered	6 ft 2	1,88 m
F Length - stowed	8 ft	2,44 m
- extended	11 ft	3,36 m
G Width	3 ft 11 in	1,19 m
A Wheelbase	6 ft 1 in	1,85 m
A Ground clearance - center	4 in	0,10 m
A - with pothole guards deployed	0,75 in	1,9 cm
Slide-out platform extension deck	3 ft	0,91 m
Guardrail height	3 ft 7 in	1,10 m
Toeboard height	6 in	0,15 m

Productivity

Max platform occupancy	2	2
Lift capacity	550 lbs	249 kg
Drive height	Full height	
Drive speed - stowed	1,9 mph	3,1 km/h
Drive speed - raised	0,5 mph	0,8 km/h
Gradeability - stowed**	25%	25%
Turning radius - inside	zero	zero
Turning radius - outside	91 in	2,3 m
Raise/lower speed 71/41 sec	71/41 sec	
Controls	proportional	proportional
Drive	duaj front wheel	duaj front wheel
Multiple disc brakes	duaj rear wheel	duaj rear wheel
Tires solid non-marking	15 x 5 x 11 in	38 x 13 x 28 cm

Power

Power source	24 V DC, 300 Ah (four 12 V, 150 Ah batteries in parallel series)	
Hydraulic system capacity	7,91 gal	36 L

Weight***

Base machine	7,185 lbs	3,260 kg
--------------	-----------	----------

Standards Compliance

ANSI A92.6, CSA B354.2, CE Compliance, AS 1418.10

* The metric equivalent of working height adds 2 m to platform height, U.S. adds 6 ft to platform height.

** Gradeability applies to driving on slopes. Gradeability may vary depending on the weight of options installed on machine. See operator's manual for details regarding slope ratings.

*** Weight will vary depending on options and/or country standards.