

Specifications

Models	GS-1530		GS-1532		GS-1930		GS-1932	
Measurements	Metric	US	Metric	US	Metric	US	Metric	US
Working height maximum*	6,40 m	20 ft 11 in	6,40 m	20 ft 11 in	7,60 m	24 ft 11 in	7,60 m	24 ft 11 in
A Platform height maximum w/load sense	4,40 m	14 ft 5 in	4,40 m	14 ft 5 in	5,60 m	18 ft 5 in	5,60 m	18 ft 5 in
B Platform height - stowed	0,97 m	3 ft 2,2 in	0,97 m	3 ft 2,2 in	1,00 m	3 ft 3,5 in	1,00 m	3 ft 3,5 in
C Platform length - outside	1,63 m	5 ft 4 in	1,63 m	5 ft 4 in	1,63 m	5 ft 4 in	1,63 m	5 ft 4 in
extended	2,54 m	8 ft 4 in	2,54 m	8 ft 4 in	2,54 m	8 ft 4 in	2,54 m	8 ft 4 in
Slide-out platform extension deck	0,91 m	3 ft	0,91 m	3 ft	0,91 m	3 ft	0,91 m	3 ft
D Platform width - outside	0,74 m	2 ft 5 in	0,74 m	2 ft 5 in	0,74 m	2 ft 5 in	0,74 m	2 ft 5 in
Guardrail height	1,10 m	3 ft 7 in	1,10 m	3 ft 7 in	1,10 m	3 ft 7 in	1,10 m	3 ft 7 in
Toeboard height	0,15 m	6 in	0,15 m	6 in	0,15 m	6 in	0,15 m	6 in
E Height - stowed: folding guardrails	2,03 m	6 ft 9 in	2,03 m	6 ft 9 in	2,11 m	6 ft 11 in	2,11 m	6 ft 11 in
rails folded	1,73 m	5 ft 8 in	1,73 m	5 ft 8 in	1,75 m	5 ft 9 in	1,75 m	5 ft 9 in
F Length - stowed	1,83 m	6 ft	1,83 m	6 ft	1,83 m	6 ft	1,83 m	6 ft
Length - stowed extended	2,74 m	8 ft 11 in	2,74 m	8 ft 11 in	2,74 m	8 ft 11 in	2,74 m	8 ft 11 in
G Width	0,76 m	2 ft 6 in	0,813 m	2 ft 8 in	0,76 m	2 ft 6 in	0,813 m	2 ft 8 in
H Wheelbase	1,32 m	4 ft 4 in	1,32 m	4 ft 4 in	1,32 m	4 ft 4 in	1,32 m	4 ft 4 in
I Ground clearance - center	6 cm	2,4 in	6 cm	2,4 in	6 cm	2,4 in	6 cm	2,4 in
A - with pothole guards deployed	2 cm	0,75 in	2 cm	0,75 in	2 cm	0,75 in	2 cm	0,75 in

Productivity

Max platform occupancy (in/out) ¹	2/-		2/1		2/-		2/1	
Lift capacity	272 kg	600 lbs	272 kg	600 lbs	227 kg	500 lbs	227 kg	500 lbs
Drive speed - stowed	4,0 km/h	2,5 mph	4,0 km/h	2,5 mph	4,0 km/h	2,5 mph	4,0 km/h	2,5 mph
Drive speed - raised	0,8 km/h	0,5 mph	0,8 km/h	0,5 mph	0,8 km/h	0,5 mph	0,8 km/h	0,5 mph
Gradeability - stowed**	30%	30%	30%	30%	25%	25%	25%	25%
Turning radius - inside	zero	zero	zero	zero	zero	zero	zero	zero
Turning radius - outside	1,55 m	5 ft 1 in	1,55 m	5 ft 1 in	1,55 m	5 ft 1 in	1,55 m	5 ft 1 in
Raise / lower speed	16 / 29 sec	16 / 29 sec	16 / 29 sec	16 / 29 sec	16 / 29 sec	16 / 29 sec	16 / 29 sec	16 / 29 sec
Controls	proportional		proportional		proportional		proportional	
Drive	dual front wheel		dual front wheel		dual front wheel		dual front wheel	
Multiple disc brakes	dual rear wheel		dual rear wheel		dual rear wheel		dual rear wheel	
Tyres - solid non-marking	30x11x20 cm 12x4,5x8 in		30x11x20 cm 12x4,5x8 in		30x11x20 cm 12x4,5x8 in		30x11x20 cm 12x4,5x8 in	

Power

Power source	24 V (four 6 V 225 Ah batteries)							
Hydraulic system capacity	14,2 L	3,75 gal	14,2 L	3,75 gal	14,2 L	3,75 gal	14,2 L	3,75 gal

Sound & Vibration Levels

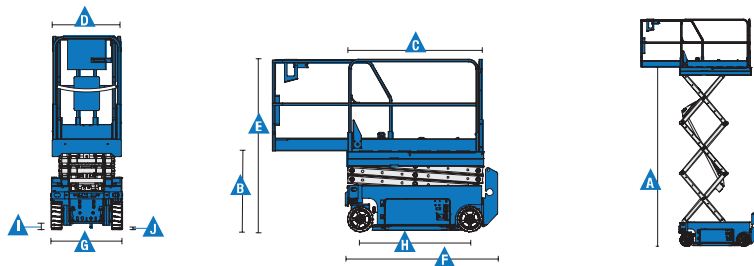
Sound pressure level (ground workstation)	<70 dBA	<70 dBA	<70 dBA	<70 dBA	<70 dBA	<70 dBA	<70 dBA	<70 dBA
Sound pressure level (platform workstation)	<70 dBA	<70 dBA	<70 dBA	<70 dBA	<70 dBA	<70 dBA	<70 dBA	<70 dBA
Vibration	<2,5 m/s ²	<8 ft 2 in/s ²	<2,5 m/s ²	<8 ft 2 in/s ²	<2,5 m/s ²	<8 ft 2 in/s ²	<2,5 m/s ²	<8 ft 2 in/s ²

Weight***

	1,233 kg	2,718 lbs	1,269 kg	2,797 lbs	1,498 kg	3,302 lbs	1,503 kg	3,313 lbs
--	----------	-----------	----------	-----------	----------	-----------	----------	-----------

Standards Compliance

EU Directives: 2006/42/EC - Machinery (harmonized standard EN280:2001+A2:2009); 2004/108/EC (EMC); 2006/95/EC (LVD)



¹ Indoor use only for the 30' Series

* The metric equivalent of working height adds 2 m to platform height.

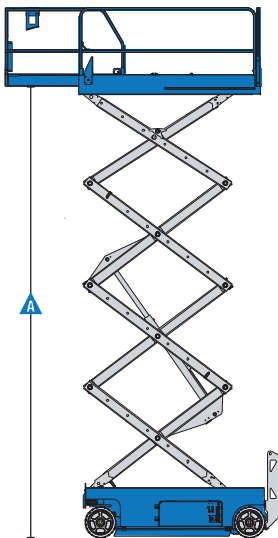
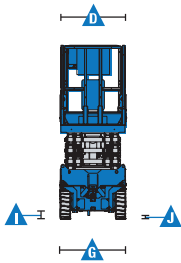
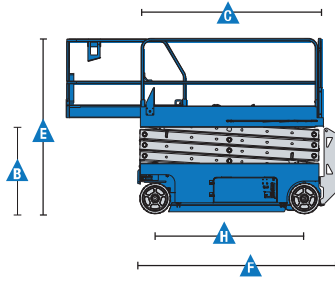
** Gradeability applies to driving on slopes, see Operator's Manual for details regarding slope ratings.

*** Weight will vary depending on options and/or country standards.

Self-Propelled Scissor Lifts

GS™ -2032, GS-2632 & GS-3232

Specifications



Models	GS-2032		GS-2632		GS-3232	
Measurements	US	Metric	US	Metric	US	Metric
Working height maximum*	26 ft	8,10 m	32 ft	9,92 m	38 ft	11,75 m
A Platform height maximum	20 ft	6,10 m	26 ft	7,92 m	32 ft	9,75 m
B Platform height stowed	3 ft 4,5 in	1,03 m	3 ft 9,5 in	1,16 m	4 ft 2,75 in	1,29 m
C Platform length - outside	7 ft 5 in	2,26 m	7 ft 5 in	2,26 m	7 ft 5 in	2,26 m
extended	10 ft 5 in	3,18 m	10 ft 5 in	3,18 m	10 ft 5 in	3,18 m
Slide-out platform extension deck	3 ft	,91 m	3 ft	,91 m	3 ft	,91 m
A Platform width - outside	2 ft 8 in	,81 m	2 ft 8 in	,81 m	2 ft 8 in	,81 m
Guardrail height: fixed rails	3 ft 3 in	,99 m	—	—	—	—
fold down rails (CE)	3 ft 7 in	1,10 m	3 ft 7 in	1,10 m	3 ft 7 in	1,10 m
Toeboard height	6 in	,15 m	6 in	,15 m	6 in	,15 m
A Height - stowed	—	—	—	—	—	—
fixed rails	6 ft 8 in	2,03 m	—	—	—	—
folding guardrails (CE)	7 ft	2,13 m	7 ft 5 in	2,26 m	8 ft	2,43 m
rails folded	5 ft 9 in	1,75 m	6 ft 3 in	1,91 m	6 ft 8 in	2,03 m
F Length - stowed	8 ft	2,44 m	8 ft	2,44 m	8 ft	2,43 m
Length - extended	10 ft 11 in	3,33 m	10 ft 11 in	3,33 m	10 ft 11 in	3,33 m
A Width	2 ft 8 in	,81 m	2 ft 8 in	,81 m	2 ft 8 in	,81 m
A Wheelbase	6 ft 1 in	1,85 m	6 ft 1 in	1,85 m	6 ft 1 in	1,85 m
A Ground clearance - center	3,5 in	,09 m	3,5 in	,09 m	3,5 in	,09 m
A - with pothole guards deployed	,75 in	,02 m	,75 in	,02 m	,75 in	,02 m

Productivity

Maximum platform occupancy**	2	2	2	2	2	2
Lift capacity	800 lbs	363 kg	500 lbs	227 kg	500 lbs	227 kg
Extension deck capacity	250 lbs	113 kg	250 lbs	113 kg	250 lbs	113 kg
Drive height	full height	—	full height	—	22 ft	6,71 m
Drive speed - stowed	2,2 mph	3,5 km/h	2,2 mph	3,5 km/h	2,2 mph	3,5 km/h
Drive speed - raised	0,5 mph	0,8 km/h	0,5 mph	0,8 km/h	0,5 mph	0,8 km/h
Gradeability - stowed***	30%	—	25%	—	25%	—
Maximum outrigger leveling:	—	—	—	—	3°	—
front to back	—	—	—	—	—	—
Maximum outrigger leveling:	—	—	—	—	5°	—
side to side	—	—	—	—	—	—
Turning radius - inside	zero	zero	zero	zero	zero	zero
Turning radius - outside	7 ft	2,13 m	7 ft	2,13 m	7 ft	2,13 m
Raise / lower speed	30 / 34 sec	30 / 34 sec	30 / 40 sec	30 / 40 sec	57 / 40 sec	57 / 40 sec
Controls	proportional	—	proportional	—	—	—
Drive	dual front wheel	—	dual front wheel	—	dual front wheel	—
Multiple disc brakes	dual rear wheel	—	dual rear wheel	—	dual rear wheel	—
Tires - solid non-marking	15 x 5 x 11 in	38 x 13 x 28 cm	15 x 5 x 11 in	38 x 13 x 28 cm	15 x 5 x 11 in	38 x 13 x 28 cm

Power

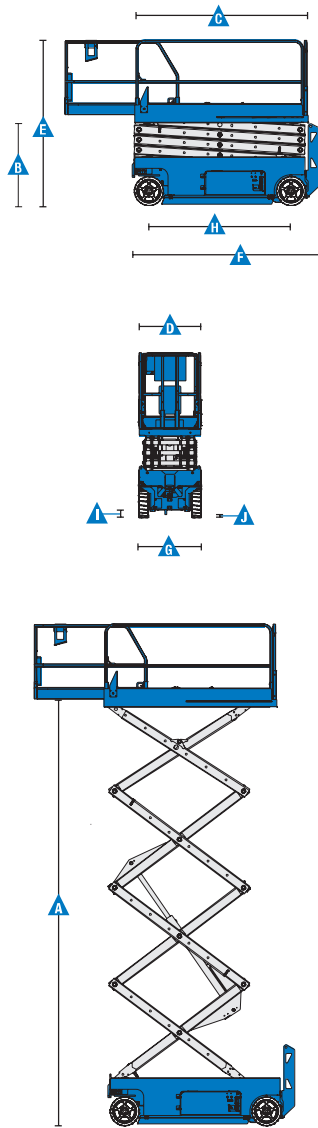
Power source	24 V DC (four 6V 225 Ah batteries)	—	24 V DC (four 6V 225 Ah batteries)	—	24 V DC (four 6V 225 Ah batteries)	—
Hydraulic system capacity	3,75 gal	14,2 L	3,75 gal	14,2 L	3,75 gal	14,2 L

Weight****

ANSI, CSA	3,574 lbs	1,621 kg	4,413 lbs	2,002 kg	5,185 lbs	2,352 kg
CE, AUS	4,024 lbs	1,825 kg	4,313 lbs	1,956 kg	5,185 lbs	2,352 kg

Standards Compliance ANSI A92,6, CSA B354,2, CE Compliance, AS 1418,10

* The metric equivalent of working height adds 2 m to platform height. U.S. adds 6 ft to platform height.
 ** CE/AUS markets: GS-2632 and GS-3232 indoor use only. GS-2032 outdoor use-one person maximum occupancy.
 *** Gradeability applies to driving on slopes. See operator's manual for details regarding slope ratings.
 **** Weight will vary depending on options and/or country standards.



Specifications

Models	GS™ -4047	
Measurements	Metric	US
Working height maximum*	13,70 m	44 ft 11 in
A Platform height maximum w/load sense	11,70 m	38 ft 5 in
B Platform height - stowed	1,34 m	4 ft 5 in
C Platform length - outside	2,26 m	7 ft 5 in
extended	3,18 m	10 ft 5 in
Slide-out platform extension deck	0,91 m	3 ft
D Platform width - outside	1,15 m	3 ft 9.3 in
Guardrail height	1,10 m	3 ft 7 in
Toeboard height	0,15 m	6 in
E Height - stowed: folding guardrails	2,54 m	8 ft 4 in
rails lowered	1,88 m	6 ft 2
F Length - stowed	2,44 m	8 ft
- extended	3,36 m	11 ft
G Width	1,19 m	3 ft 11 in
L Wheelbase	1,85 m	6 ft 1 in
M Ground clearance - centre	0,10 m	4 in
N - with pothole guards deployed	1,9 cm	0,75 in

Productivity

Max platform occupancy (indoor/outdoor) ¹	3/-	3/-
Lift capacity	350 kg	770 lbs
Drive height	Full height	
Drive speed - stowed	3,1 km/h	1,9 mph
Drive speed - raised	0,8 km/h	0,5 mph
Gradeability - stowed**	25%	25%
Turning radius - inside	zero	zero
Turning radius - outside	2,3 m	91 in
Raise/lower speed	71/41 sec	71/41 sec
Controls	proportional	proportional
Drive	dual front wheel	dual front wheel
Multiple disc brakes	dual rear wheel	dual rear wheel
Tyres solid non-marking	38 x 13 x 28 cm	15 x 5 x 11 in

Power

Power source	24 V DC, 300 Ah (four 12 V, 150 Ah batteries in parallel series)	
Hydraulic system capacity	36 L	7,91 gal

Sound & Vibration Levels

Sound pressure level (ground workstation)	< 70 dBA	< 70 dBA
Sound pressure level (platform workstation)	< 70 dBA	< 70 dBA
Vibration	<2,5 m/s ²	<8 ft 2 in/s ²

Weight***

CE base machine	3,221 kg	7,100 lbs
-----------------	----------	-----------

Standards Compliance

EU Directives: 2006/42/EC - Machinery
(harmonized standard EN280:2001+A2:2009); 2004/108/EC (EMC); 2006/95/EC (LVD)

¹ Indoor use only

* The metric equivalent of working height adds 2 m to platform height.

** Gradeability applies to driving on slopes. See Operator's Manual for details regarding slope ratings.

*** Weight will vary depending on options and/or country standards.