

AC electric drive motor for excellent energy efficiency

High performance version for unsurpassed productivity and throughput

jetPILOT electric steering wheel for easy and comfortable handling

curveCONTROL automatically reduces speed when traveling through curves

An extensive range of accessories for individual customization



ECE 227 / 236 XL NA

Center-control rider (6,000; 8,000 lbs.)

Through a combination of the latest technologies and an ergonomic design, the Jungheinrich® ECE 227 / 236 XL NA optimizes both the cost and speed of order picking.

A 3-phase AC drive motor helps ensure an optimal performance in nearly every application. The advantages: high acceleration and travel speed with low energy consumption. Combine these features with regenerative braking and the ECE delivers more hours in operation and higher throughput.

In addition, Jungheinrich specifically fine-tuned the interface between the AC drive motor and electric controller to optimize performance and efficiency. The ergonomic features harmonize the interface between operator, machine and load. The immediate proximity of the operator to the load together with the stand-on platform helps provide more efficient order picking.

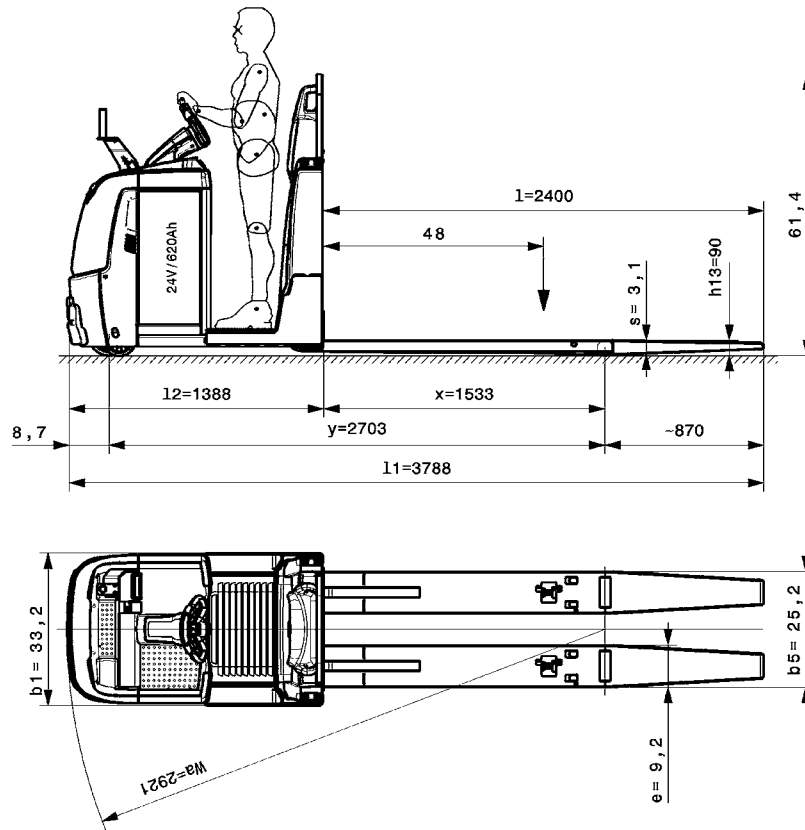
The ECE offers electric steering using the jetPILOT steering wheel. The advantages: intuitive controls, plus a secure grip

similar to driving a car, create first-class operator comfort. The operator does not need to twist his body when traveling around corners (providing better operator comfort). This design provides the operator with automatic return of the steering wheel to straight-ahead travel.

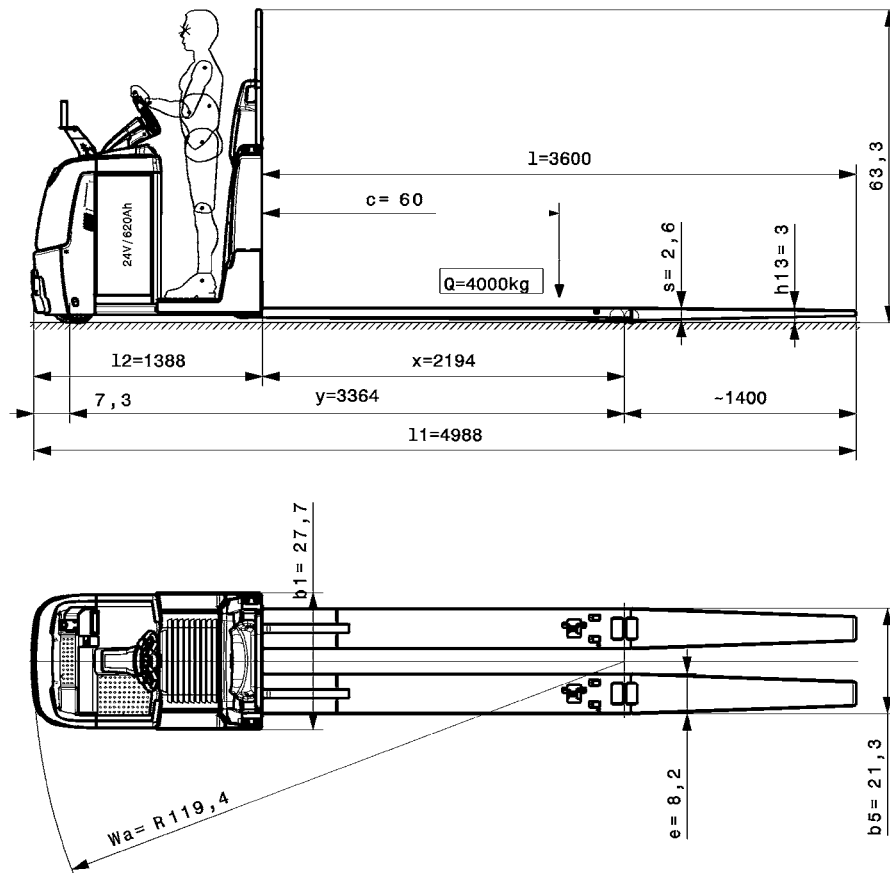
With its high drive performance drivePLUS package and ergonomically optimized operator workplace, the ECE stands at the forefront with optimal output in many applications.

ECE 227-236 XL NA

ECE 227 XL NA (shown with 94.5 in / 2,400 mm forks)



ECE 236 XL NA (shown with 141.7 in / 3,600 mm forks)



Technical Data

as of: 09/2016

Characteristics	1.1 Manufacturer			Jungheinrich		Jungheinrich		
	1.2 Manufacturer's type designation			ECE 227 XL		ECE 236 XL		
Characteristics	1.3 Drive			electric		electric		
	1.4 Operator type			order pickers		order pickers		
Characteristics	1.5 Load capacity / rated load Q			lbs	kg	6,000	2,700	
	1.6 Load center distance c			in	mm	47.2 ¹⁾	1,200 ¹⁾	
Characteristics	1.8 Load distance, center of load axle to fork base x			in	mm	60.4	1,533	
	1.9 Wheelbase y			in	mm	106.4	2,703	
Weights	2.1 Service weight			lbs	kg	Consult Factory		
	2.2 Axle loading, loaded front / rear			lbs	kg	Consult Factory		
Weights	2.3 Axle loading, unloaded front / rear			lbs	kg	Consult Factory		
	Wheels, Chassis	3.1 Tires			Vulkollan®		Vulkollan®	
3.2 Tire size, front			in	mm	9.1 x 3.1	230x78		
Wheels, Chassis	3.3 Tire size, rear			in	mm	3.3 x 6.3	83 x 160	
	3.5 Wheels, number front rear (x = driven wheels)			1x/2		1x/4		
Wheels, Chassis	3.6 Tread width, front b ₁₀			in	mm	18.9	481	
	3.7 Tread width, rear b ₁₁			in	mm	15.9	401	
Dimensions	4.4 Maximum fork height h ₃			in	mm	5.4	137	
	4.9 Height of tiller in drive position h ₁₄			in	mm	54.1 / 55.8	1,374 / 1,418	
Dimensions	4.15 Height of forks, lowered (heel / wheel / tip) h ₁₃			in	mm	3.9 / 3.4 / 2.9	100 / 88 / 73	
	4.19 Overall length l ₁			in	mm	149.1 ¹⁾	3,788 ¹⁾	
Dimensions	4.20 Length to face of forks l ₂			in	mm	54.7	1,388	
	4.21 Overall width b ₁ /b ₂			in	mm	32.7	830	
Dimensions	4.22 Fork dimensions s/e/l			in	mm	3 / 9 / 94.5 ¹⁾	77 / 229 / 2,400 ¹⁾	
	4.25 Overall width across forks b ₅			in	mm	24.8	630	
Dimensions	4.32 Ground clearance, center of wheelbase m ₂			in	mm	1	25	
	4.35 Turning radius Wa			in	mm	115	2,921	
Performance	5.1 Travel speed, loaded / unloaded			mph	km/h	5.7 / 8.7	9.2 / 14	
	5.2 Lift speed, loaded / unloaded			ft / min	m / s	13.8 / 19.7	0.07 / 0.1	
Performance	5.3 Lowering speed, loaded / unloaded			ft / min	m / s	13.8 / 11.8	0.07 / 0.06	
	5.8 Maximum gradeability, loaded / unloaded			5.24 ³⁾		5.24 ³⁾⁴⁾		
Performance	5.10 Service brake			regenerative		regenerative		
	Motors	6.1 Drive motor rating S ₂ 60 min.			hp / kW	4.3	3.2	4.3
6.2 Lift motor rating at S ₃ 15 %			hp / kW	2.0	1.5	2.0		
Motors	6.4 Battery voltage, nominal AH capacity			V / Ah	24 / 620		24 / 620	
	6.5 battery weight (minimum, maximum)			lbs	kg	816 / 1500	370 / 680	816 / 1500
Other	8.1 Type of drive control			AC speedCONTROL		AC speedCONTROL		
	8.4 Sound level at the driver's ear			dB(A)		62		

1) with optional 94.5 inch (2,400 mm) forks
 2) with optional 141.7 inch (3,600 mm) forks
 3) with touch mode option, 3.5%
 4) with increased ground clearance option, 7.0%

The Jungheinrich Advantage

Innovative AC technology

More performance with reduced operating costs.

- Higher energy efficiency with lower energy consumption.
- Rapid acceleration for high productivity.
- Quick and secure changing of travel direction without a pause in neutral.
- No carbon brushes.

Comfortable operation

The advanced electronic speedCONTROL offers comfortable and secure travel with drive characteristic adjustment.

- The travel speed set by the driver on the control switch is maintained regardless of operation, e.g. during travel up or down an incline or ramp.
- Three programmable drive settings to cater to the travel demands of almost every application.
- Regenerative braking with energy recovery when reducing travel speed.

Rugged construction for the hardest applications

- Chassis made from high quality steel.
- Extra-high raised chassis apron on front cover.
- Torsion-resistant fork sections with strong pull-rods – unyielding design even with heavy loads and long forks.
- Capacity of up to 8,000 lbs. for carrying up to three non-stacked pallets simultaneously.

Ideal workstation for maximum picking performance

- Diverse and individually configured storage options.
- Rapid lifting of the load by double pressing the lift button (optional).

Longer operating time

Energy saving 3-phase technology and high battery capacity allow longer time on the job.

- Lateral battery withdrawal (optional) for multi-shift applications.

Central display and setting instrument

Extensive display provides a complete overview:

- Activation of the truck by easyACCESS via softkey or PIN (optional).
- The 2-inch display provides information on the battery discharge status, number of operating hours, travel speed as well as event messages and offers the option of selecting from three travel programs via softkey (optional).

Customized steering

Vertically-adjustable steering wheel for customized applications.

- Electric steering with jetPILOT (standard).
- curveCONTROL: automatic speed reduction when traveling through curves.



Longer operating times mean more work done.

Additional accessories

An extensive range of accessories allows individual adjustment to your application:

- Touch mode buttons located in the backrest on both sides of the truck for pedestrian low-level, walk-beside order picking.
- A variety of backrest designs.
- Extra collision protection from steel or rubber.
- Additional accessories for working at the second level.
- Holder for radio data transmission equipment.
- LED daytime running lights.
- Floor spot warning light.

Parts when you need them

Jungheinrich's Parts Fast or Parts Free Guarantee ensures next-business-day delivery by 5:00 PM of all Jungheinrich parts in the United States, or they're free, including freight. For customers in Canada and Mexico, the guarantee ensures shipping of parts within 24 hours from the time the order was placed by the dealer. See your local Jungheinrich dealer for program details.

* Programs may be subject to change without notice and may vary by region. Please ask your local Jungheinrich dealer for complete terms and conditions.