

Specifications

Models Z-51/30J RT

Measurements	Metric	US
Working height maximum*	17,59 m	57 ft 8 in
Platform height maximum	15,59 m	51 ft 2 in
Horizontal reach maximum	9,37 m	30 ft 9 in
Up-and-over clearance maximum	7,39 m	24 ft 3 in
A Platform length	0,76 m	2 ft 6 in
B Platform width	1,83 m	6 ft
C Height - stowed	2,13 m	7 ft
D Length - stowed	7,58 m	24 ft 11 in
E Width	2,29 m	7 ft 6 in
F Wheelbase	2,03 m	6 ft 8 in
G Ground clearance - centre	0,375 m	1 ft 3 in

Productivity

Lift capacity	227 kg	500 lbs
Platform rotation	160°	160°
Vertical jib rotation	135° (+78°/-57°)	
Turntable rotation	355° non-continuous	
Turntable tailswing	zero	zero
Drive speed - stowed	8 km/h	5 mph
Drive speed - raised**	1 km/h	0,61 mph
Gradeability - 4WD - stowed***	45%	45%
Turning radius - inside	1,68 m	5 ft 6 in
Turning radius - outside	4,50 m	14 ft 9 in
Controls	12 V DC proportional	
Tyres	315/55 D20 foam filled	

Power

Power source	Deutz D2011 L03i 3 cylinder diesel 49 hp (35,8 kW)	
Auxiliary power unit	12 V DC	12 V DC
Hydraulic tank capacity	90,9 L	24 gal
Fuel tank capacity	64,4 L	17 gal

Sound & Vibration Levels

Sound pressure level (ground workstation)	86 dBA	86 dBA
Sound pressure level (platform workstation)	79 dBA	79 dBA
Vibration	<2,5 m/s ²	<8 ft 2 in/s ²

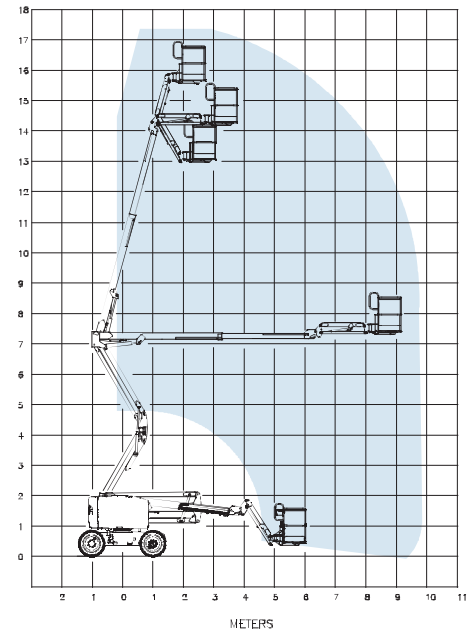
Weight****

	7,394 kg	16,300 lbs
--	----------	------------

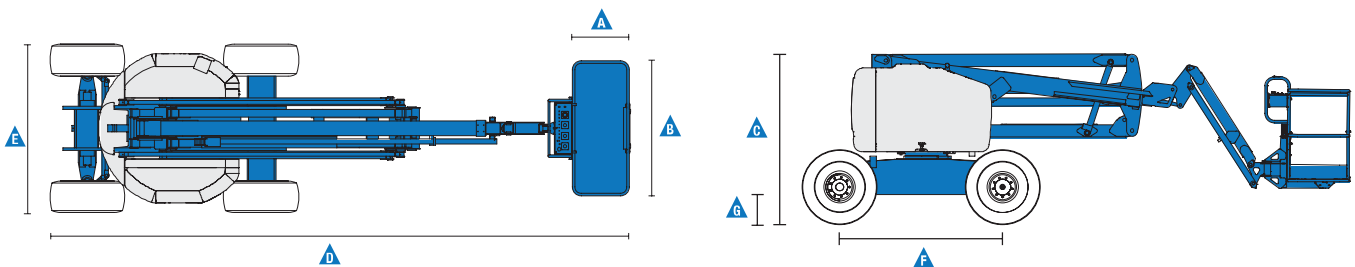
Standards Compliance

EU Directives: 2006/42/EC - Machinery (harmonized standard EN280:2001+A2:2009); 2004/108/EC (EMC); 2000/14/EC (Outdoor Noise)

Range Of Motion Z-51/30J RT



* The metric equivalent of working height adds 2 m to platform height. U.S. adds 6 ft to platform height.
 ** In lift mode (platform raised), the machine is designed to operate on firm, level surfaces only.
 *** Gradeability applies to driving on slopes. See Operator's Manual for details regarding slope ratings.
 **** Weight will vary depending on options and/or country standards.



Specifications

Models	Z-45/25 RT		Z-45/25J RT	
Measurements	Metric	US	Metric	US
Working height maximum*	15,97 m	51 ft 10 in	16,05 m	52 ft 1 in
Platform height maximum	13,97 m	45 ft 10 in	14,05 m	46 ft 1 in
Horizontal reach maximum	7,49 m	24 ft 7 in	7,52 m	24 ft 8 in
Up and over clearance maximum	7,14 m	23 ft 5 in	7,14 m	23 ft 5 in
A Platform length	0,76 m	2 ft 6 in	0,76 m	2 ft 6 in
B Platform width	1,83 m	6 ft	1,83 m	6 ft
C Height - stowed	2,13 m	7 ft	2,13 m	7 ft
D Length - stowed	5,38 m	17 ft 8 in	6,65 m	21 ft 10 in
E Width	2,29 m	7 ft 6 in	2,29 m	7 ft 6 in
A Wheelbase	2,03 m	6 ft 8 in	2,03 m	6 ft 8 in
A Ground clearance - center	0,37 m	1 ft 2,5 in	0,37 m	1 ft 2,5 in

Productivity

Lift capacity	227 kg	500 lbs	227 kg	500 lbs
Platform rotation	180°	180°	160°	160°
Vertical Jib rotation	—	—	135°	135°
Turntable rotation	355° non-continuous		355° non-continuous	
Turntable tailswing	zero	zero	zero	zero
Drive speed - stowed	7,24 km/h	4,5 mph	7,24 km/h	4,5 mph
Drive speed - raised **	1,00 km/h	0,61 mph	1,00 km/h	0,61 mph
Gradeability - 4WD - stowed***	45%	45%	45%	45%
Turning radius - inside	1,68 m	5 ft 6 in	1,68 m	5 ft 6 in
Turning radius - outside	4,50 m	14 ft 9 in	4,50 m	14 ft 9 in
Controls	12 V DC proportional		12 V DC proportional	
Tyres	355/55 D20		355/55 D20	

Power

Power source	Deutz diesel D2011L03i 3 cylinder diesel 35,8 kW (48 hp) Perkins diesel 404-D22 4 cylinder diesel 38 kW (51 hp)			
Auxiliary power unit	12 V DC		12 V DC	
Hydraulic tank capacity	83 L	22 gal	83 L	22 gal
Fuel tank capacity	64,4 L	17 gal	64,4 L	17 gal

Sound & Vibration Levels

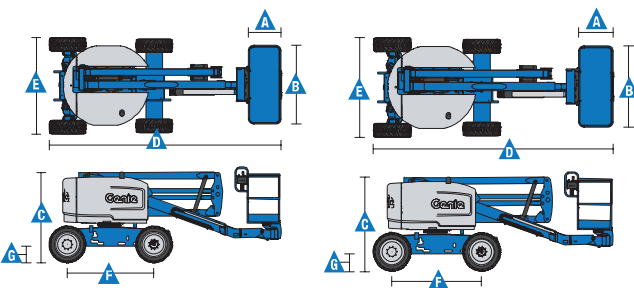
Sound pressure level (ground workstation)	87 dBA	87 dBA	87 dBA	87 dBA
Sound pressure level (platform workstation)	82 dBA	82 dBA	82 dBA	82 dBA
Vibration	<2,5 m/s ²	<8 ft 2 in/s ²	<2,5 m/s ²	<8 ft 2 in/s ²

Weight****

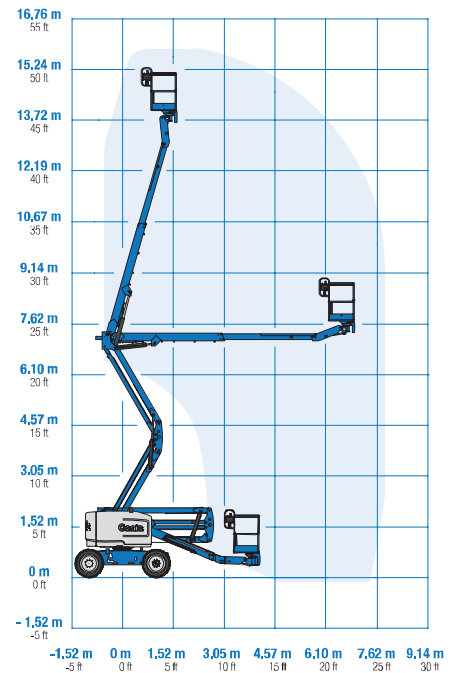
CE 4WD (air tyres)	6,078 kg	13,400 lbs	6,123 kg	13,500 lbs
CE 4WD (foam filled tyres)	6,415 kg	14,144 lbs	6,460 kg	14,244 lbs

Standards Compliance

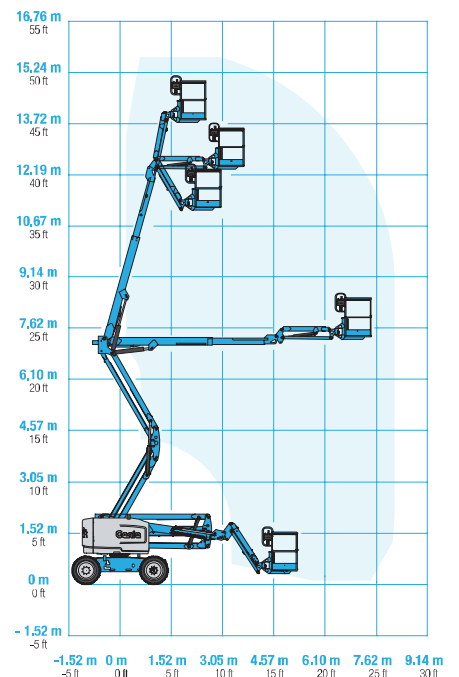
EU Directives: 2006/42/EC - Machinery Directive
Harmonized Standards: EN280:2001+A2:2009; 2004/108/EC (EMC); 2000/14/EC (Outdoor Noise)



Range Of Motion Z-45/25 RT



Range Of Motion Z-45/25J RT



* The metric equivalent of working height adds 2 m to platform height. U.S. adds 6 ft to platform height.
** In lift mode (platform raised), the machine is designed to operate on firm, level surfaces only.
*** Gradeability applies to driving on slopes. See operator's manual for details regarding slope ratings.
**** Weight will vary depending on options and/or country standards.

Specifications

Models	Z-34/22 IC 2WD		Z-34/22 IC 4WD	
Measurements	Metric	US	Metric	US
Working height maximum*	12,52 m	40 ft 6 in	12,62 m	40 ft 10 in
Platform height maximum	10,52 m	34 ft 6 in	10,62 m	34 ft 10 in
Horizontal reach maximum	6,78 m	22 ft 3 in	6,78 m	22 ft 3 in
Up and over clearance maximum	4,57 m	15 ft	4,6 m	15 ft 1 in
A Platform length	0,76 m	2 ft 6 in	0,76 m	2 ft 6 in
B Platform width	1,42 m	4 ft 8 in	1,42 m	4 ft 8 in
C Height - stowed	2,00 m	6 ft 7 in	2,06 m	6 ft 9 in
D Length - stowed	5,64 m	18 ft 6 in	5,66 m	18 ft 7 in
E Storage height	2,26 m	7 ft 5 in	2,29 m	7 ft 6 in
F Storage length	4,08 m	13 ft 5 in	4,11 m	13 ft 6 in
G Width	1,73 m	5 ft 8 in	1,85 m	6 ft 1 in
H Wheelbase	1,88 m	6 ft 2 in	1,88 m	6 ft 2 in
I Ground clearance - center	0,15 m	6 in	0,15 m	6 in

Productivity

Lift capacity	227 kg	500 lbs	227 kg	500 lbs
Platform rotation	180°	180°	180°	180°
Vertical jib rotation	139°	139°	139°	139°
Turntable rotation	355° non-continuous		355° non-continuous	
Turntable tailswing	zero	zero	zero	zero
Drive speed - stowed	6,4 km/h	4,0 mph	6,4 km/h	4,0 mph
Drive speed - raised**	1,1 km/h	0,68 mph	1,1 km/h	0,68 mph
Gradeability - stowed***	35%	35%	35%	35%
Turning radius - inside	1,75 m	5 ft 9 in	1,80 m	5 ft 11 in
Turning radius - outside	4 m	13 ft 1 in	4,11 m	13 ft 6 in
Controls	12V DC	proportional	12V DC	proportional
Tyres - foam filled	23 x 37 cm	9 x 14,5 in	25,4 x 42 cm	10 x 16,5 in rough terrain

Power

Power source	Tier IV Kubota D-1105 3-cylinder diesel 26 hp (19,4 kW) Tier IV Perkins 403 D11 3-cylinder diesel 26,4 hp (19,7 kW)			
Auxiliary power unit	12V DC	12V DC	12V DC	12V DC
Hydraulic tank capacity	71,9 L	19 gal	71,9 L	19 gal
Fuel tank capacity	35,2 L	9 gal	35,2 L	9 gal

Sound & Vibration Levels

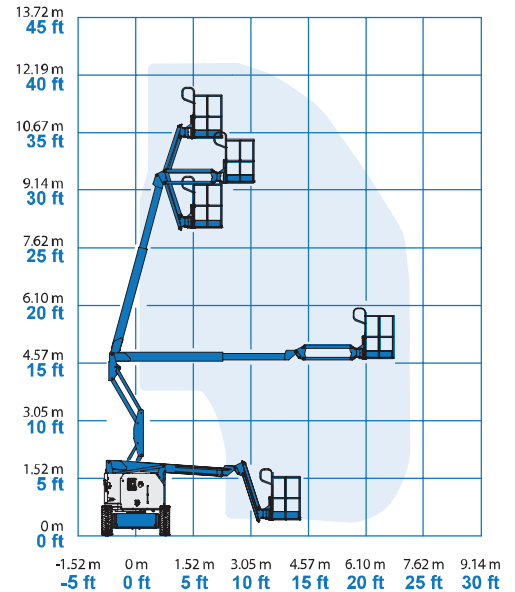
Sound pressure level (ground workstation)	<81 dBA	<81 dBA	<81 dBA	<81 dBA
Sound pressure level (platform workstation)	<80 dBA	<80 dBA	<80 dBA	<80 dBA
Vibration	<2,5 m/s ²	<8 ft 2 in/s ²	<2,5 m/s ²	<8 ft 2 in/s ²

Weight****

CE Industrial foam filled tyres	4,793 kg	10,566 lbs	N/A	N/A
CE rough terrain foam filled tyres	4,892 kg	10,786 lbs	4,929 kg	10,986 lbs

Standards Compliance EU Directives: 2006/42/EC - Machinery (harmonized standard EN280:2001+A2:2009); 2004/108/EC (EMC); 2000/14/EC (Outdoor Noise)

Range Of Motion Z-34/22 IC



* The metric equivalent of working height adds 2 m to platform height. U.S. adds 6 ft to platform height.

** In lift mode (platform raised), the machine is designed to operate on firm, level surfaces only.

*** Gradeability applies to driving on slopes. See operator's manual for details regarding slope ratings.

**** Weight will vary depending on options and/or country standards.

